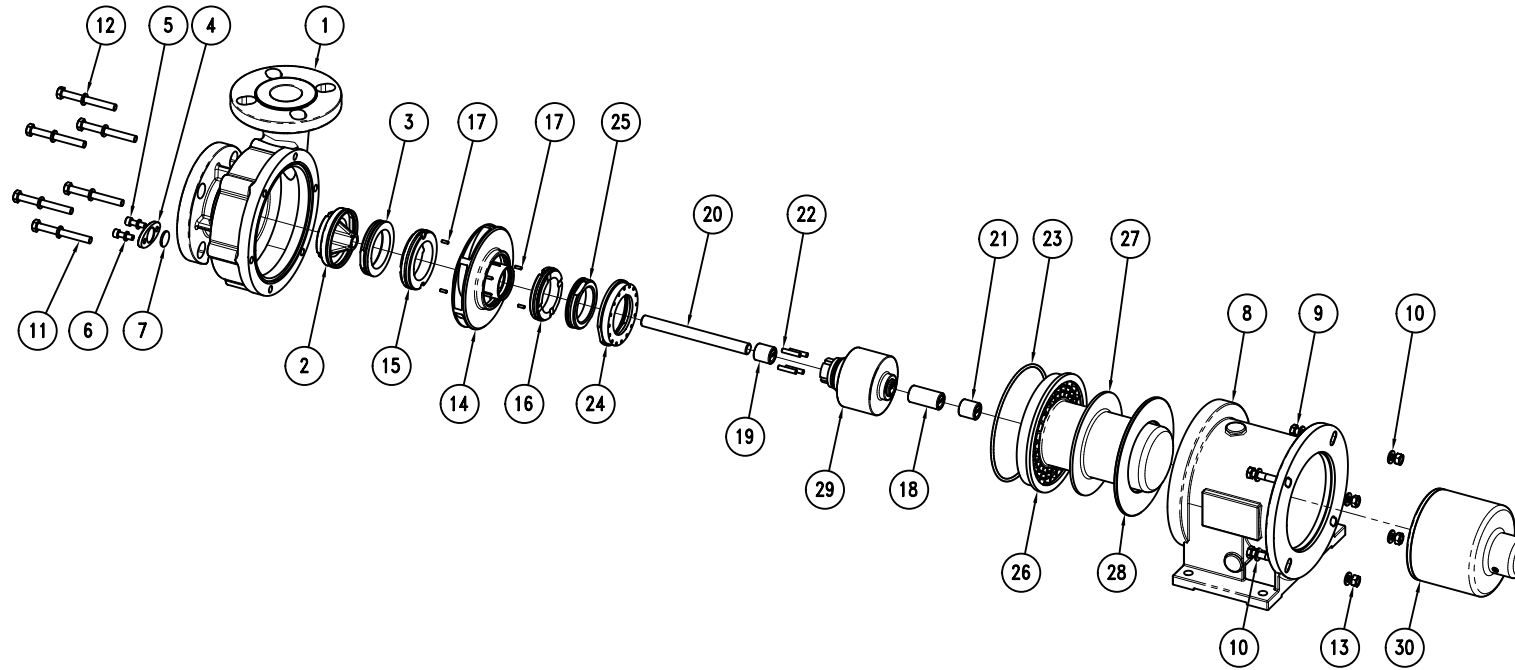


EXPLODED VIEW

CODE: E10438 Rev.:02



ITEM: Universal Flanges
 Pump model: C MAG-PL50 PP/PFA

PART LIST

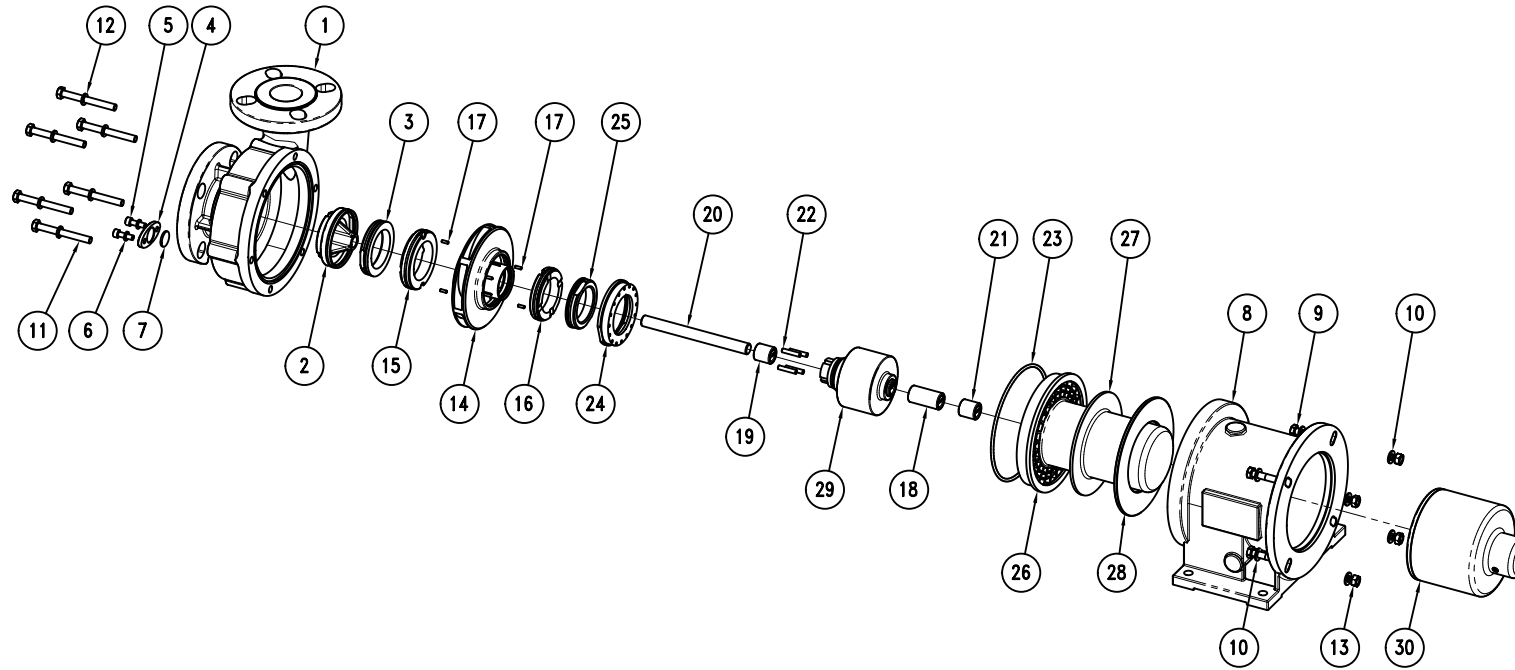
Port connection: Flanged
 Motor: IEC Gr90 B5

ITEM N°	CODE	Description	Material	Q.ty	ITEM N°	CODE	Description	Material	Q.ty
1	96200C2050CIWU	Pump Casing	GGG 40.3/PFA	1	16	90140C2C0683	Impeller thrustbearing	PTFEC	1
2	56150C2050P	Shaft support	PP	1	17	56610D030009V	Impeller lock pin	PVDF	4
3	90140C2S071	Pump casing thrustbearing	SSic	1	18	90310C214537	Int. magnet rear bushing	PTFEC	1
4	53150C2050E	Pump casing plug	AISI 304	1	19	90310C2145022	Int. magnet front bushing	PTFEC	1
5	91610TCEI620A2	Screw UNI5931 M6x20	A2-70	2	20	90010A04031	Shaft	Al203	1
6	91630S0611A2	Washer UNI1751 D.6x11	A2-70	2	21	90310C024215	Rear casing bushing	PTFEC	1
7	91510P020	Plug gasket	PTFE	1	22	96610D050025V	Lock pin ø5x25	PVDF	4
8	56110C205010C	Bracket	WCB	1	23	92910E1456	O-Ring 4575-BS256	EPDM	1
9	91610TE835A2	Screw UNI24017 M8x35	A2-70	4	24	56150C1050NCP	Thrustbearing support	PP	1
10	91630N0816A2	Washer UNI6592 D.8x16	A2-70	8	25	90140C2S064	Pump casing thrustbearing	SSic	1
11	91610TE870A2	Screw UNI24017 M8x70	A2-70	6	26	55610T1073P	Rear casing	PP+30%CF	1
12	91630S0814A2	Washer UNI1751 D.8x14	A2-70	6	27	93050T1092FC	Rear casing armor	Carbon Fiber	1
13	91620N08A2	Nut UNI5588 M8	A2-70	4	28	901501535924A	Reinforcement Ring	AISI 304	1
14	55710C1050P	Impeller	PP	1	29	55820C1050AP	Internal magnet	PP / NdFeB	1
15	90140C2C0766	Impeller thrustbearing	PTFEC	1	30	55810T109210N	External magnet	A105 / NdFeB	1

- This drawing is for reference only

EXPLODED VIEW

CODE: E10441 Rev.:02



ITEM: Universal Flanges
 Pump model: C MAG-PL50 PVDF/PFA

PART LIST

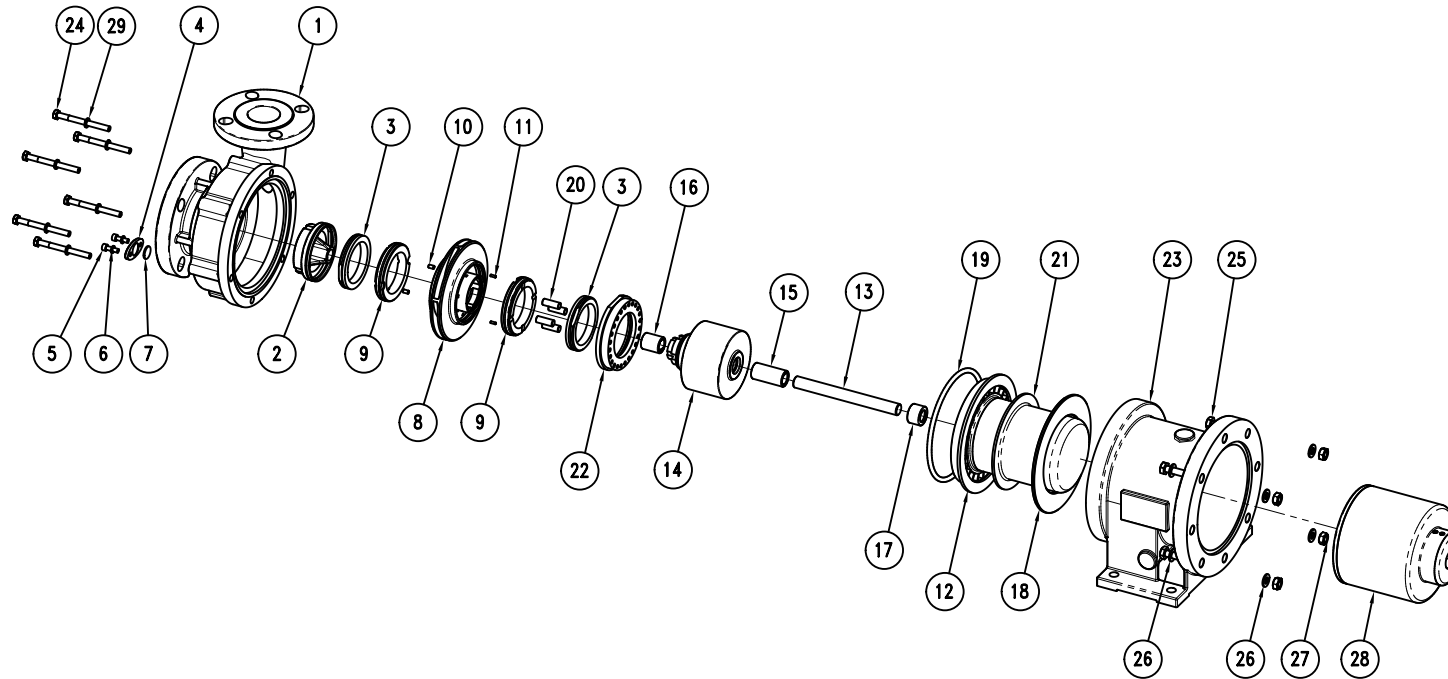
Port connection: Flanged
 Motor: IEC Gr90 B5

ITEM N°	CODE	Description	Material	Q.ty	ITEM N°	CODE	Description	Material	Q.ty
1	96200C2050CIWU	Pump Casing	GGG 40.3/PFA	1	16	90140C2C0683	Impeller thrustbearing	PTFEC	1
2	56150C2050V	Shaft support	PVDF	1	17	56610D030009V	Impeller lock pin	PVDF	4
3	90140C2S071	Pump casing thrustbearing	SSic	1	18	90310C214537	Int. magnet rear bushing	PTFEC	1
4	53150C2050E	Pump casing plug	AISI 304	1	19	90310C2145022	Int. magnet front bushing	PTFEC	1
5	91610TCEI620A2	Screw UNI5931 M6x20	A2-70	2	20	90010A04031	Shaft	Al203	1
6	91630S0611A2	Washer UNI1751 D.6x11	A2-70	2	21	90310C024215	Rear casing bushing	PTFEC	1
7	91510P020	Plug gasket	PTFE	1	22	96610D050025V	Lock pin ø5x25	PVDF	4
8	56110C105010C	Bracket	WCB	1	23	92910V1456	O-Ring 4575-BS256	VITON	1
9	91610TE835A2	Screw UNI24017 M8x35	A2-70	4	24	56150C1050NCV	Thrustbearing support	PVDF	1
10	91630N0816A2	Washer UNI6592 D.8x16	A2-70	8	25	90140C2S064	Pump casing thrustbearing	SSic	1
11	91610TE880A2	Screw UNI24017 M8x80	A2-70	6	26	55610T1073V	Rear casing	PVDF	1
12	91630S0814A2	Washer UNI1751 D.8x14	A2-70	6	27	93050T1092FC	Rear casing armor	Carbon Fiber	1
13	91620N08A2	Nut UNI5588 M8	A2-70	4	28	901501535924A	Reinforcement Ring	AISI 304	1
14	55710C1050V	Impeller	PVDF	1	29	55820C1050AV	Internal magnet	PVDF / NdFeB	1
15	90140C2C0766	Impeller thrustbearing	PTFEC	1	30	55810T109210N	External magnet	A105 / NdFeB	1

- This drawing is for reference only

EXPLODED VIEW

CODE: E10439 Rev.:02



ITEM: Universal Flanges
 Pump model: C MAG-PL65 PP/PFA

PART LIST

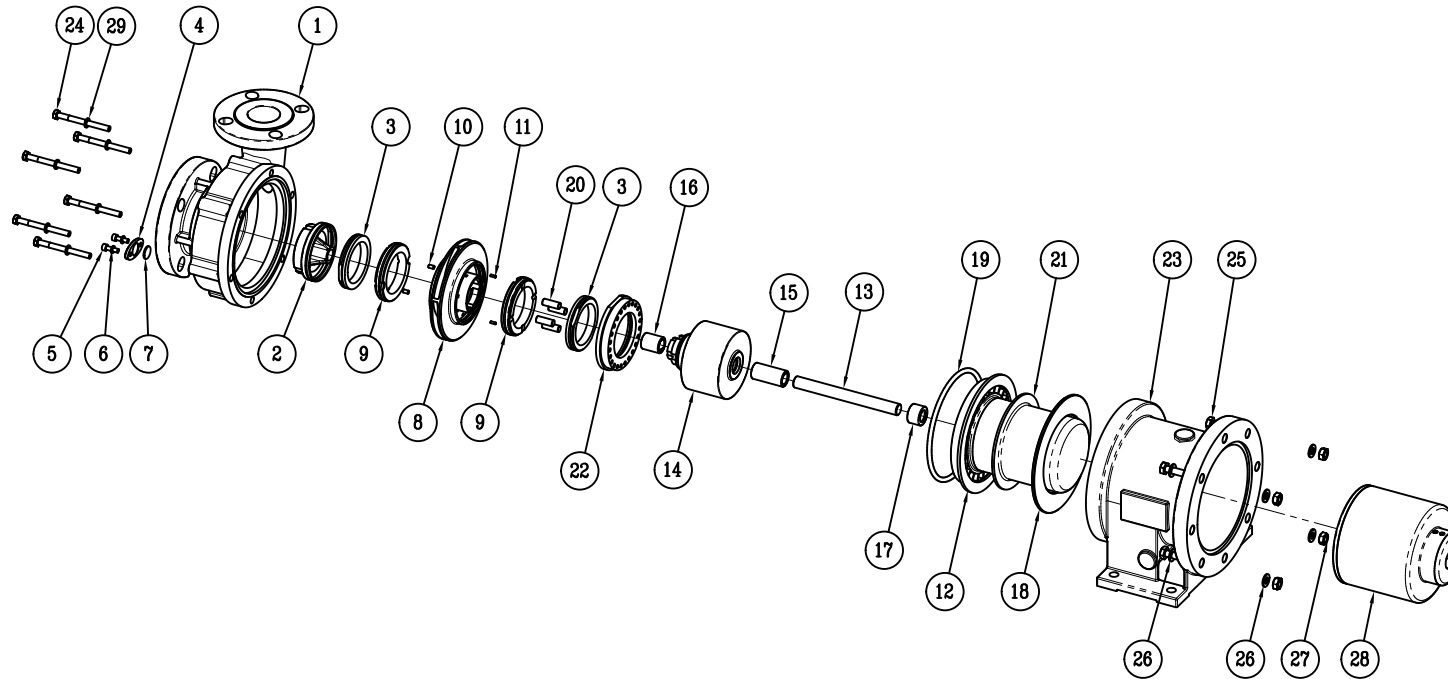
Port connection: Flanged
 Motor: IEC Gr100-112 B5

ITEM N°	CODE	Description	Material	Q.ty	ITEM N°	CODE	Description	Material	Q.ty
1	96200C2065CIWU	Pump Casing	GGG 40.3/PFA	1	16	90310C256030	Int. magnet front bushing	PTFEC	1
2	56150C2065P	Shaft support	PP	1	17	90310C302020	Rear casing bushing	PTFEC	1
3	90140C2S085	Pump casing thrustbearing	SSic	2	18	9015018751254A	Reinforcement Ring	AISI 304	1
4	53150C2050E	Pump casing plug	AISI 304	1	19	92910E1667	O-Ring 228-BS628	EPDM	1
5	91610TCEI620A2	Screw UNI5931 M6x20	A2-70	2	20	96610D100028V	Lock pin Ø10x28	PVDF	4
6	91630S0611A2	Washer UNI1751 D.6x11	A2-70	2	21	93050T1122FC	Rear casing armor	Carbon Fiber	1
7	91510P020	Plug gasket	PTFE	1	22	56150C1065NCP	Thrustbearing support	PP	1
8	55710C1065P	Impeller	PP	1	23	56110C20651214C	Bracket	WCB	1
9	90140C2C0918	Impeller thrustbearing	PTFEC	2	24	91610TE885A2	Screw UNI24017 M8x85	A2-70	6
10	56610D050009V	Impeller lock pin	PVDF	2	25	91610TE1050A2	Screw UNI24017 M10x50	A2-70	4
11	56610D030009V	Impeller lock pin	PVDF	2	26	91630N01021A2	Washer UNI6592 D.10x20	A2-70	8
12	55610C1080P	Rear casing	PP+30%CF	1	27	91620N10A2	Nut UNI5588 M10	A2-70	4
13	90010A03001	Shaft	Al203	1	28	55810T112212NN	External magnet	A105 / NdFeB	1
14	55820C1065APN	Internal magnet	PP / NdFeB	1	29	91630S0814A2	Washer UNI1751 D.8x14	A2-70	6
15	90310C255553	Int. magnet rear bushing	PTFEC	1					

- This drawing is for reference only

EXPLODED VIEW

CODE: E10442 Rev.:02



ITEM: Universal Flanges
 Pump model: C MAG-PL65 PVDF/PFA

PART LIST

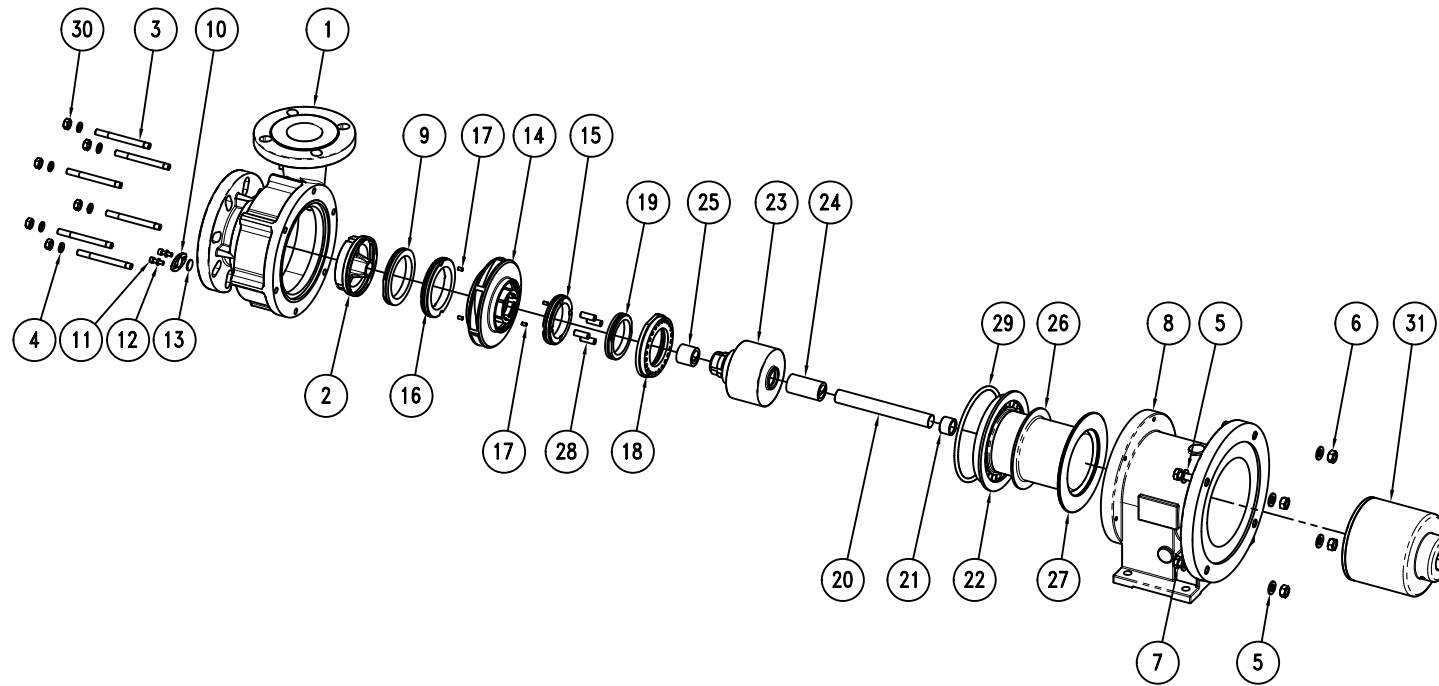
Port connection: Flanged
 Motor: IEC Gr100-112 B5

ITEM N°	CODE	Description	Material	Q.ty	ITEM N°	CODE	Description	Material	Q.ty
1	96200C2065CIWU	Pump Casing	GGG 40.3/PFA	1	16	90310C256030	Int. magnet front bushing	PTFEC	1
2	56150C2065V	Shaft support	PVDF	1	17	90310C302020	Rear casing bushing	PTFEC	1
3	90140C2S085	Pump casing thrustbearing	SSic	2	18	9015018751254A	Reinforcement Ring	AISI 304	1
4	53150C2050E	Pump casing plug	AISI 304	1	19	92910V1667	O-Ring 228-BS628	VITON	1
5	91610TCEI620A2	Screw UNI5931 M6x20	A2-70	2	20	96610D100028V	Lock pin Ø10x28	PVDF	4
6	91630S0611A2	Washer UNI1751 D.6x11	A2-70	2	21	93050T1122FC	Rear casing armor	Carbon Fiber	1
7	91510P020	Plug gasket	PTFE	1	22	56150C1065NCV	Thrustbearing support	PVDF	1
8	55710C1065V	Impeller	PVDF	1	23	56110C20651214C	Bracket	WCB	1
9	90140C2C0918	Impeller thrustbearing	PTFEC	2	24	91610TE885A2	Screw UNI24017 M8x85	A2-70	6
10	56610D050009V	Impeller lock pin	PVDF	2	25	91610TE1050A2	Screw UNI24017 M10x50	A2-70	4
11	56610D030009V	Impeller lock pin	PVDF	2	26	91630N01021A2	Washer UNI6592 D.10x20	A2-70	8
12	55610C1080V	Rear casing	PVDF	1	27	91620N10A2	Nut UNI5588 M10	A2-70	4
13	90010A03001	Shaft	Al203	1	28	55810T112212NN	External magnet	A105 / NdFeB	1
14	55820C1065AVN	Internal magnet	PVDF / NdFeB	1	29	91630S0814A2	Washer UNI1751 D.8x14	A2-70	6
15	90310C255553	Int. magnet rear bushing	PTFEC	1					

- This drawing is for reference only

EXPLODED VIEW

CODE: E10440 Rev.:02



ITEM: Universal Flanges
 Pump model: C MAG-PL80 PP/PFA

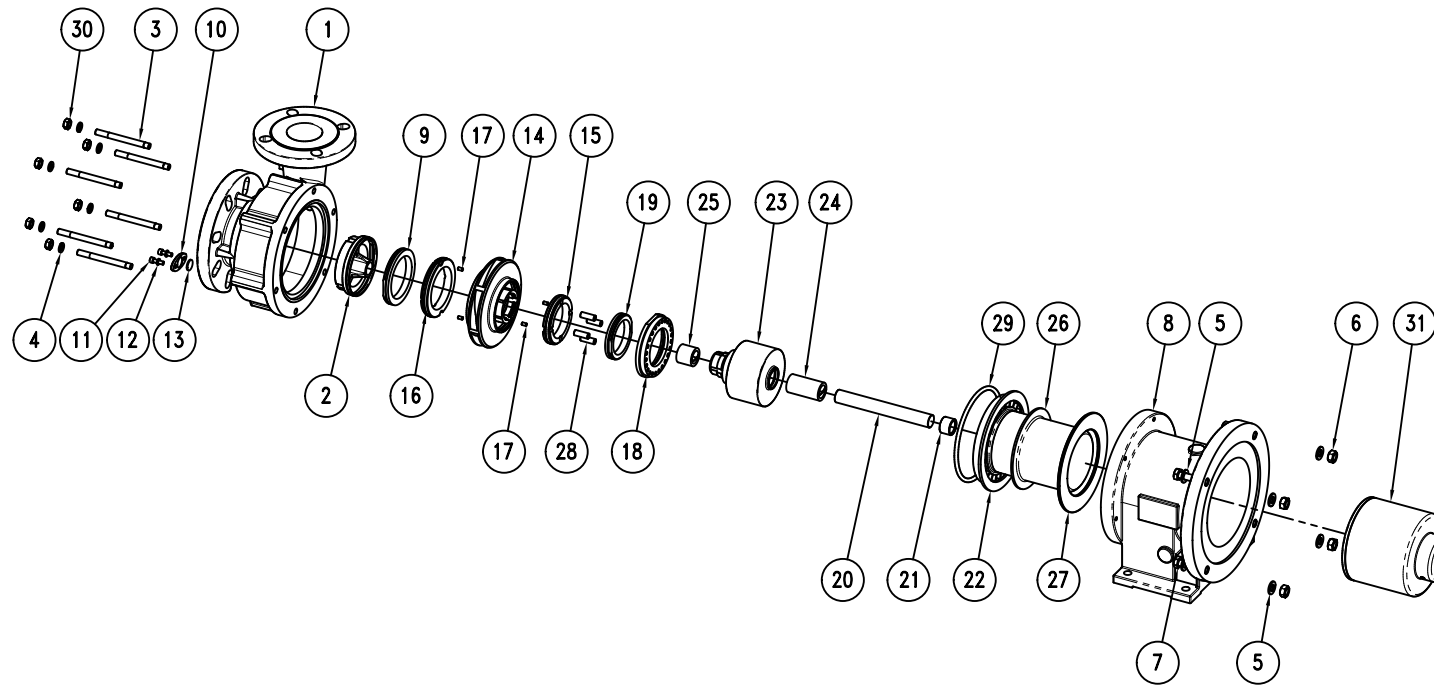
PART LIST

ITEM N°	CODE	Description	Material	Q.ty	ITEM N°	CODE	Description	Material	Q.ty
1	96200C2080CIWU	Pump Casing	GGG 40.3/PFA	1	17	56610D050009V	Impeller lock pin	PVDF	4
2	56150C2080P	Shaft support	PP	1	18	56150C1080NCP	Thrustbearing support	PP	1
3	91610P10110A2	Stud bolt M10x110	AISI 420	6	19	90140C2S085	Pump casing thrustbearing	SSic	1
4	91630S1017A2	Washer UNI1751 D.10x17	A2-70	6	20	90010A4031	Shaft	Al203	1
5	91630N1224A2	Washer UNI6592 D.12x24	A2-70	8	21	90310C30220	Rear casing bushing	PTFEC	1
6	91620N12A2	Nut UNI5588 M12	A2-70	4	22	55610C1080P	Rear casing	PP+30%CF	1
7	91610TE1260A2	Screw UNI24017 M12x60	A2-70	4	23	55820C1080AP	Internal magnet	PP / NdFeB	1
8	56110C208016C	Bracket	WCB	1	24	90140C2C1111	Int. magnet rear bushing	PTFEC	1
9	90140C2S105	Pump casing thrustbearing	SSic	1	25	90310C343530	Int. magnet front bushing	PTFEC	1
10	53150C2050E	Pump casing plug	AISI 304	1	26	90310C34365	Rear casing armor	Carbon Fiber	1
11	91610TCEI620A2	Screw UNI5931 M6x20	A2-70	2	27	9015018751254A	Reinforcement Ring	AISI 304	1
12	91630S0611A2	Washer UNI1751 D.6x11	A2-70	2	28	96610D100028V	Lock pin #10x28	PVDF	4
13	91510P020	Plug gasket	PTFE	1	29	92910E1667	O-Ring 228-BS628	EPDM	1
14	55710C1080P	Impeller	PP	1	30	91620N10A2	Nut UNI5588 M10	A2-70	6
15	90140C2C1111	Impeller thrustbearing	PTFEC	1	31	55810C108016N	External magnet	A105 / NdFeB	1
16	90140C2C0918	Impeller thrustbearing	PTFEC	1					

Motor: IEC Gr132 B5
 Port connection: Flanged

EXPLODED VIEW

CODE: E10443 Rev.:02



ITEM: Universal Flanges
 Pump model: C MAG-PL80 PVDF/PFA

PART LIST

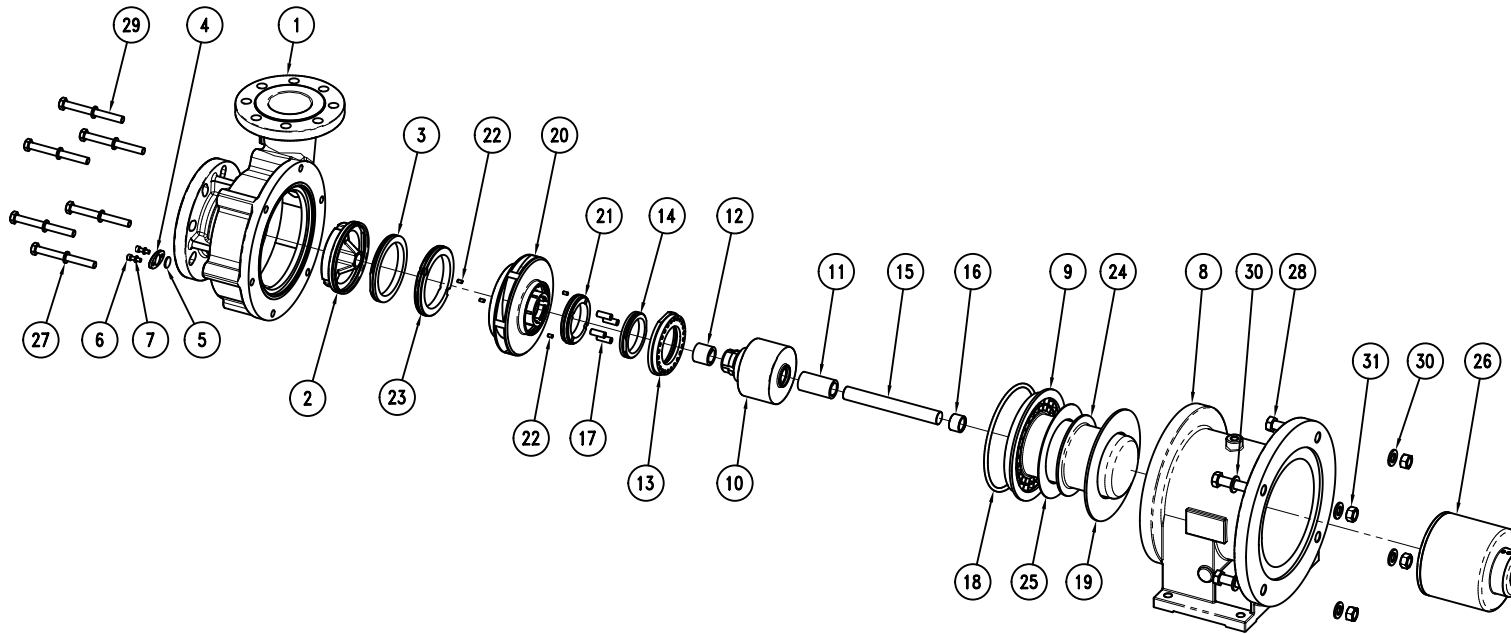
ITEM N°	CODE	Description	Material	Q.ty	ITEM N°	CODE	Description	Material	Q.ty
1	96200C2080C1WU	Pump Casing	GGG 40.3/PFA	1	17	56610D050009V	Impeller lock pin	PVDF	4
2	56150C2080V	Shaft support	PVDF	1	18	56150C1080NCV	Thrustbearing support	PVDF	1
3	91610P10110A2	Stud bolt M10x110	AISI 420	6	19	90140C2S085	Pump casing thrustbearing	SSic	1
4	91630S1017A2	Washer UNI1751 D.10x17	A2-70	6	20	90010A4031	Shaft	Al203	1
5	91630N1224A2	Washer UNI6592 D.12x24	A2-70	8	21	90310C30220	Rear casing bushing	PTFEC	1
6	91620N12A2	Nut UNI5588 M12	A2-70	4	22	55610C1080V	Rear casing	PVDF	1
7	91610TE1260A2	Screw UNI24017 M12x60	A2-70	4	23	55820C1080AV	Internal magnet	PVDF / NdFeB	1
8	56110C208016C	Bracket	WCB	1	24	90140C2C1111	Int. magnet rear bushing	PTFEC	1
9	90140C2S105	Pump casing thrustbearing	SSic	1	25	90310C343530	Int. magnet front bushing	PTFEC	1
10	53150C2050E	Pump casing plug	AISI 304	1	26	90310C34365	Rear casing armor	Carbon Fiber	1
11	91610TCEI620A2	Screw UNI5931 M6x20	A2-70	2	27	9015018751254A	Reinforcement Ring	AISI 304	1
12	91630S0611A2	Washer UNI1751 D.6x11	A2-70	2	28	96610D100028V	Lock pin #10x28	PVDF	4
13	91510P020	Plug gasket	PTFE	1	29	92910V1667	O-Ring 228-BS628	VITON	1
14	55710C1080V	Impeller	PVDF	1	30	91620N10A2	Nut UNI5588 M10	A2-70	6
15	90140C2C1111	Impeller thrustbearing	PTFEC	1	31	55810C108016N	External magnet	A105 / NdFeB	1
16	90140C2C0918	Impeller thrustbearing	PTFEC	1					

Motor: IEC Gr132 B5
 Port connection: Flanged

- This drawing is for reference only

EXPLODED VIEW

CODE: E10749 Rev.:02



ITEM: Universal Flanges
 Pump model: C MAG-PL100 PP/PFA

PART LIST

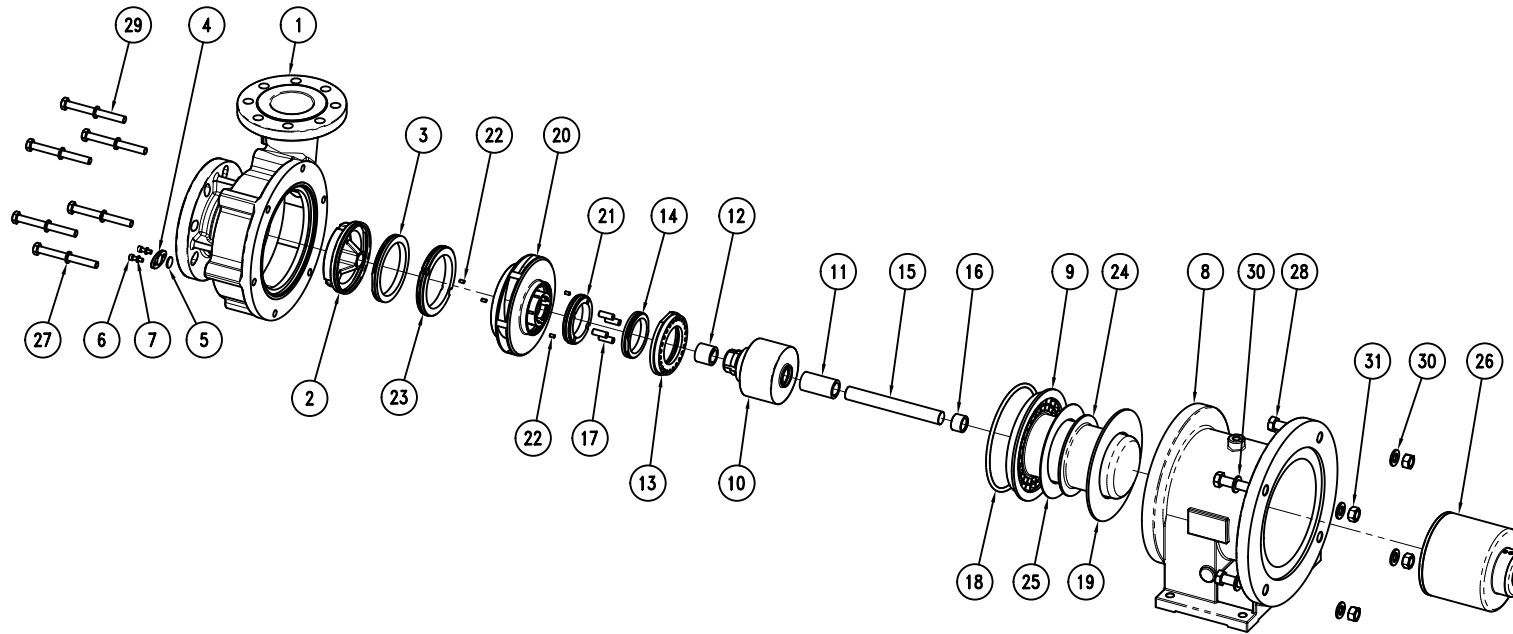
Port connection: Flanged
 Motor: IEC Gr160 B5

ITEM N°	CODE	Description	Material	Q.ty	ITEM N°	CODE	Description	Material	Q.ty
1	96200C2100C1WU	Pump Casing	GGG 40.3/PFA	1	17	96610D100028V	Lock pin #10x28	PVDF	4
2	56150C2100P	Shaft support	PP	1	18	92910E1899	O-Ring 8750/BS443	EPDM	1
3	90140C2S125	Pump casing thrustbearing	SSic	1	19	90150101204A	Reinforcement Ring	AISI 304	1
4	53150C2050E	Pump casing plug	AISI 304	1	20	55710C1100P	Impeller	PP	1
5	91510P020	Plug gasket	PTFE	1	21	90140C2C0918	Impeller thrustbearing	PTFEC	1
6	91610TCEI620A2	Screw UNI5931 M6x20	A2-70	2	22	56610D050009V	Impeller lock pin	PVDF	4
7	91630S0611A2	Washer UNI1751 D.6x11	A2-70	2	23	90140C2C1311	Impeller thrustbearing	PTFEC	1
8	56110C110018C	Bracket	WCB	1	24	93050T1122FC	Rear casing armor	Carbon Fiber	1
9	55610C1100P	Rear casing	PP+30%CF	1	25	90150121177A	Rear casing spacer	AISI 304	1
10	55820C1080AP	Internal magnet	PP / NdFeB	1	26	55810C110018N	External magnet	A105 / NdFeB	1
11	90140C34365	Int. magnet rear bushing	PTFEC	1	27	91630S1221A2	Washer UNI1751 D.12x21	A2-70	6
12	90310C343530	Int. magnet front bushing	PTFEC	1	28	91610TE1660A2	Screw UNI24017 M16x60	A2-70	4
13	56150C1080NCP	Thrustbearing support	PP	1	29	91610TE12110A2	Screw UNI24017 M12x110	A2-70	6
14	90140C2S085	Pump casing thrustbearing	SSic	1	30	91630N1630A2	Washer UNI6592 D.16x30	A2-70	8
15	90010A4031	Shaft	Al203	1	31	91620N16A2	Nut UNI5588 M16	A2-70	4
16	90310C30220	Rear casing bushing	PTFEC	1					

- This drawing is for reference only

EXPLODED VIEW

CODE: E10750 Rev.:02



ITEM:
 Universal Flanges
 Pump model: C MAG-PL100 PVDF/PFA

PART LIST

Port connection: Flanged
 Motor: IEC Gr160 B5

ITEM N°	CODE	Description	Material	Q.ty	ITEM N°	CODE	Description	Material	Q.ty
1	96200C2100C1WU	Pump Casing	GGG 40.3/PFA	1	17	96610D100028V	Lock pin #10x28	PVDF	4
2	56150C2100V	Shaft support	PVDF	1	18	92910V1899	O-Ring 8750/BS443	VITON	1
3	90140C2S125	Pump casing thrustbearing	SSic	1	19	90150101204A	Reinforcement Ring	AlSI 304	1
4	53150C2050E	Pump casing plug	AlSI 304	1	20	55710C1100V	Impeller	PVDF	1
5	91510P020	Plug gasket	PTFE	1	21	90140C2C0918	Impeller thrustbearing	PTFEC	1
6	91610TCEI620A2	Screw UNI5931 M6x20	A2-70	2	22	56610D050009V	Impeller lock pin	PVDF	4
7	91630S0611A2	Washer UNI1751 D.6x11	A2-70	2	23	90140C2C1311	Impeller thrustbearing	PTFEC	1
8	56110C110018C	Bracket	WCB	1	24	93050T1122FC	Rear casing armor	Carbon Fiber	1
9	55610C1100V	Rear casing	PVDF	1	25	90150121177A	Rear casing spacer	AlSI 304	1
10	55820C1080AV	Internal magnet	PVDF / NdFeB	1	26	55810C110018N	External magnet	A105 / NdFeB	1
11	90140C34365	Int. magnet rear bushing	PTFEC	1	27	91630S1221A2	Washer UNI1751 D.12x21	A2-70	6
12	90310C343530	Int. magnet front bushing	PTFEC	1	28	91610TE1660A2	Screw UNI24017 M16x60	A2-70	4
13	56150C1080NCV	Thrustbearing support	PVDF	1	29	91610TE12110A2	Screw UNI24017 M12x110	A2-70	6
14	90140C2S085	Pump casing thrustbearing	SSic	1	30	91630N1630A2	Washer UNI6592 D.16x30	A2-70	8
15	90010A4031	Shaft	Al203	1	31	91620N16A2	Nut UNI5588 M16	A2-70	4
16	90310C30220	Rear casing bushing	PTFEC	1					

- This drawing is for reference only